

Incremental Rotary Encoder OD 40 dia.

E6B2-C

General-Purpose Incremental Rotary Encoder With Large Shaft 40 dia.

- A wide operating voltage range from 5 to 24 VDC (open collector model).
- High resolution models (2000 pulses per revolution) substantially improve measuring accuracy
- Easy-to-adjust zero index (phase Z) with origin indicating function
- A large load of 30 N in the radial direction and 20 N in the thrust direction are permitted.
- The load short-circuit and reversed connection protecting circuit assure high operation reliability.
- Available with Line Driver output (100 m max. extension available)
- Shock resistance strengthened by metal disk. (600 P/R max.) (Patent)



Ordering Information

Sensors

Power supply voltage	Output form	Resolution (pulse/rotation)	Model
5 to 24 VDC	NPN open collector output	10, 20, 30, 40, 50, 60, 100, 200, 300, 360, 400, 500, 600, 720, 800, 1,000, 1,024, 1,200, 1,500, 1,800, 2,000	E6B2-CWZ6C
12 to 24VDC	PNP open collector output	100, 200, 360, 500, 600, 1,000, 2,000	E6B2-CWZ5B
5 to 12 VDC	NPN voltage output	10, 20, 30, 40, 50, 60, 100, 200, 300, 360, 400, 500, 600, 1,000, 1,200, 1,500, 1,800, 2,000	E6B2-CWZ3E
5 VDC	Line driver output	10, 20, 30, 40, 50, 60, 100, 200, 300, 360, 400, 500, 600, 1,000, 1,024, 1,200, 1,500, 1,800, 2,000	E6B2-CWZ1X

Note: When ordering, add the resolution (pulses per revolution) between the part number. For example, E6B2-CWZ6C 100 P/R.

Accessories (Order Separately)

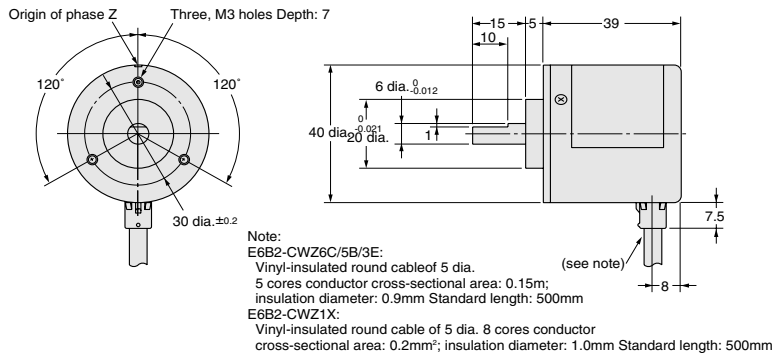
Item	Model	Remarks
Coupling	E69-C06B	Attachment
	E69-C68B	Different end diameter
	E69-C610B	Different end diameter
	E69-C06M	Metal construction
Flanges	E69-FBA	---
	E69-FBA02	E69-2 Mounting Bracket included
Mounting Bracket	E69-2	---

E6B2-C

Dimensions (Unit: mm)

Sensors

E6B2



ALL DIMENSIONS SHOWN ARE IN MILLIMETERS.
 To convert millimeters into inches, multiply by 0.03937. To convert grams into ounces, multiply by 0.03527.