

Fiber Unit

E32-ET16WR-1/2

E32-ETS / EDS Series

Area sensing fiber
for all digital fiber
amplifier E3X

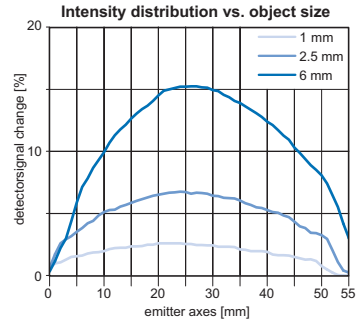
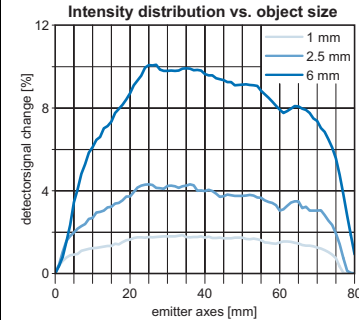


Ordering Information

Product Code	Description
E32-ET16WR-1 2M	70 mm area sensing head fiber unit
E32-ET16WR-2 2M	50 mm area sensing head fiber unit

Specifications

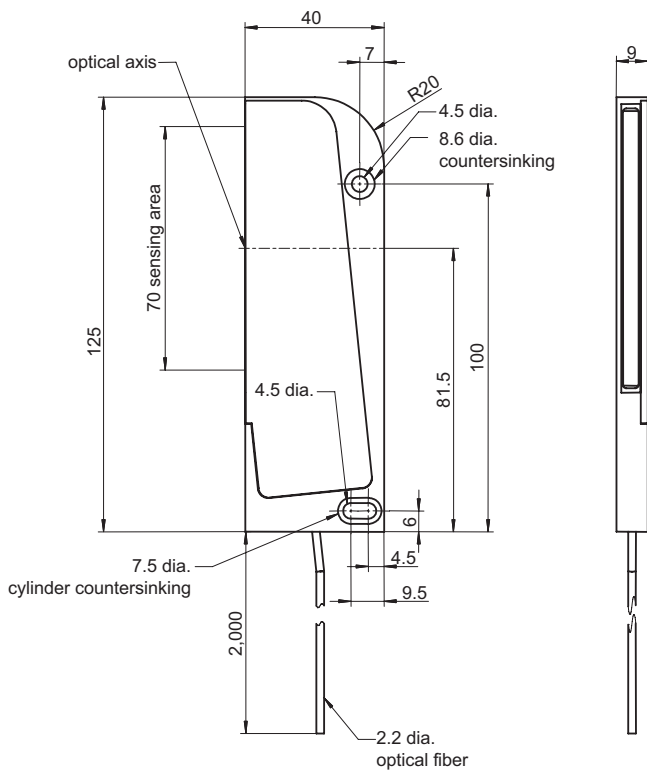
Item		E32-ET16WR-1	E32-ET16WR-2		
Classification	Detecting principle	Separate type			
Construction	Degree of protection	IEC60529 IP 54			
	Materials	Sensing head	ALMGSI0,5F22 (EN-AW-6060) glass window		
		Fiber core	Acrylic resin (PMMA)		
Fiber sheet		Polyethylene (PE)			
Rating	Detection distance				
	Type name	E3X-DA-S	Super long distance mode	2.400 mm	2.200 mm
			Standard mode	2.000 mm	1.800 mm
			Super high speed mode	500 mm	450 mm
		E3X-MDA	Super long distance mode	2.500 mm	2.300 mm
			Standard mode	1.500 mm	1.400 mm
			Super high speed mode	600 mm	550 mm
		E3X-DA-N	Super long distance mode	2.000 mm	1.800 mm
			Standard mode	2.000 mm	1.800 mm
			Super high speed mode	740 mm	660 mm
E3X-NA (V)	900 mm	1.700 mm			
Detection object	Opaque materials 5 mm min.				
	Intensity distribution vs. object size		Intensity distribution vs. object size		



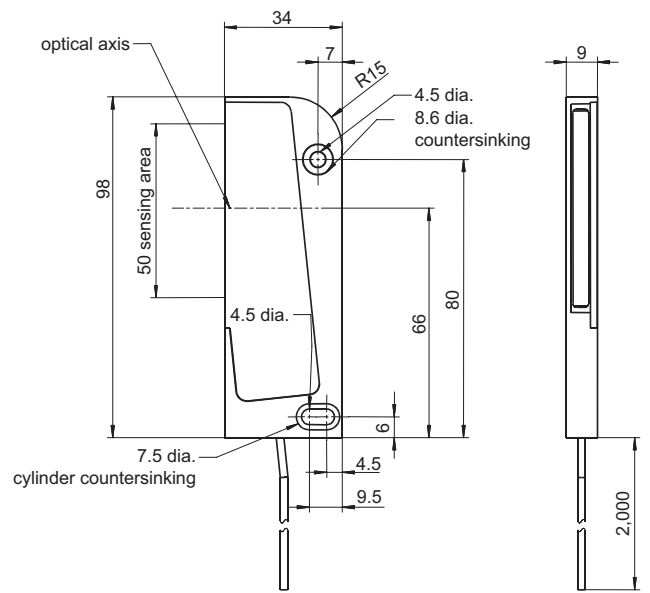
Item		E32-ET16WR-1	E32-ET16WR-2
Characteristics	Vibration	Double amplitude	1.5 mm
		Mechanical durability	10 to 55 Hz
	Shock	There should be no problem on construction and characteristics after applying the following variable vibration in X, Y, Z directions, respectively, for 2 hours.	
		Mechanical durability	500 m/s ²
Standard Test Conditions		Ambient temperature	20 °C
		Ambient humidity	50 %RH
Storage Conditions		Ambient temperature	-40 to 70 °C
		Ambient humidity	35 to 95 %RH
		Surrounding conditions	Do not apply the exceeded pressures, shock or corrosive gas to the package which should deform the product.
Conditions of use		Ambient temperature	-40 to 70 °C
		Ambient humidity	35 to 95 %RH
		Ambient illumination	Ambient illumination is rated by a using amplifier unit.
		Surrounding conditions	<ol style="list-style-type: none"> 1. Do not expose the product to corrosive gas such as hydrogen sulphide gas, organic solvent and so on 2. Avoid direct sunlight 3. Otherwise, avoid from condition to damage characteristics.
		Mounting	<ol style="list-style-type: none"> 1. The minimum bending radius of the fiber is R1. 2. The clamping torque of the fiber unit is 0.98 Nm max. 3. Do not apply the exceed force (pull or push) of over 18 N to the fiber cable.
Accessories		Fiber cutter (Model E39-F4)	
Other information		Safe usage and handling	<ol style="list-style-type: none"> 1. Safety measures to deal with possible failure of this product should be taken when designing with this product. 2. All conditions relating to usage, storage and disposal of this product are governed by the accompanying documentation, including notices and warnings in the instruction sheet/manual, catalogue and specification. 3. A high level of safety standards should be practised when using this product for mission critical applications such as nuclear power controllers, railroads, aircraft, automobiles, combustion equipment, medical instrumentation, amusement equipment/machines and safety equipment. Implementation of fail-safe circuits and practice of safety margin for ratings or performances are highly recommended. In the event of failure or malfunction with this product, contact our nearest sales office as soon as possible.
		Warranty period	This product is covered by two years warranty period from the date of delivery.
		Warranty coverage	<p>If this product is determined to be defective at any time during the warranty period, we will replace or repair the defective product or parts at site where delivered or at place of purchase without charge. This warranty, however, is invalid in the following situations:</p> <ol style="list-style-type: none"> 1. Failure of the product due to misapplication after delivery; 2. Unauthorised modifications or repair; 3. Misuse or wilful damage to the product; 4. Non-compliance with these guidelines on safe usage and handling outlined above; 5. Failure or malfunction due to natural disasters.
		Service coverage	<p>This price of this product does not include charges for on-site repair or other services .</p> <p>Please contact our nearest sales office for further details.</p>

Dimensions

E32-ET16WR-1



E32-ET16WR-2



ALL DIMENSIONS SHOWN ARE IN MILLIMETERS.

To convert millimeters into inches, multiply by 0.03937. To convert grams into ounces, multiply by 0.03527.