

# Photovoltaic Inverter

# KP100L

## Highest Reliability and Quality, Fastest return of Investment in string inverters category.

1. PV module care: Monocrystal and polycrystal module performances last for longer thanks to the PID-preventive integrated functionality.  
Thin film solar module compatibility is approved with several brands. Please contact your local Omron office for the complete list.
2. Top level performance: 3 MPP Trackers, Wide MPPT voltage range, High efficiency at wide DC range, Max peak output power (+10%).
3. Wide range of applications: Outdoor installation (IP65), in temperature range up to +60°C.



## Ordering Information

Description	Model	Applicable country
Photovoltaic Inverter	KP100L-OD-EU	For the update list of applicable countries, please contact your local Omron office

## Specification

Item		KP100L-OD-EU
DC Input	Nominal DC power	10,300 W
	Max. DC power	11,500 W
	Max. open-circuit voltage	850 VDC
	DC voltage range	200 to 850 VDC
	MPPT voltage range	225 to 850 VDC
	Nominal voltage	585 VDC
	Number of MPP Trackers	3
	Type of DC terminals	MC-4 (ADBP4-S2/ADSP4-S2)
	Max. current per one pair of DC terminals	13 ADC
Max. power per one pair of DC terminals	5,500 W	
AC Output	Nominal power	10,000 W
	Peak power (10 minutes)	11,000 W
	Nominal Output Current	14.5 A
	Output voltage	230/400 VAC
	Nominal frequency	50 Hz
	Output frequency range	45 to 55 Hz
	THD of output current	4% or less
	Power factor (cos phi)	0.85 leading ... 1 (typical) ... 0.9 lagging
	Wiring system	3-phase 4-wire
Performance	Max. efficiency	97.5%
	European efficiency	97.1%
	Standby consumption power	1 W or less
	Night time consumption power	1 W or less
Certifications	CE mark	Yes
	Others	<a href="http://industrial.omron.eu/KP100L">http://industrial.omron.eu/KP100L</a> <a href="http://industrial.omron.eu/energy-efficiency">http://industrial.omron.eu/energy-efficiency</a>

# KP100L

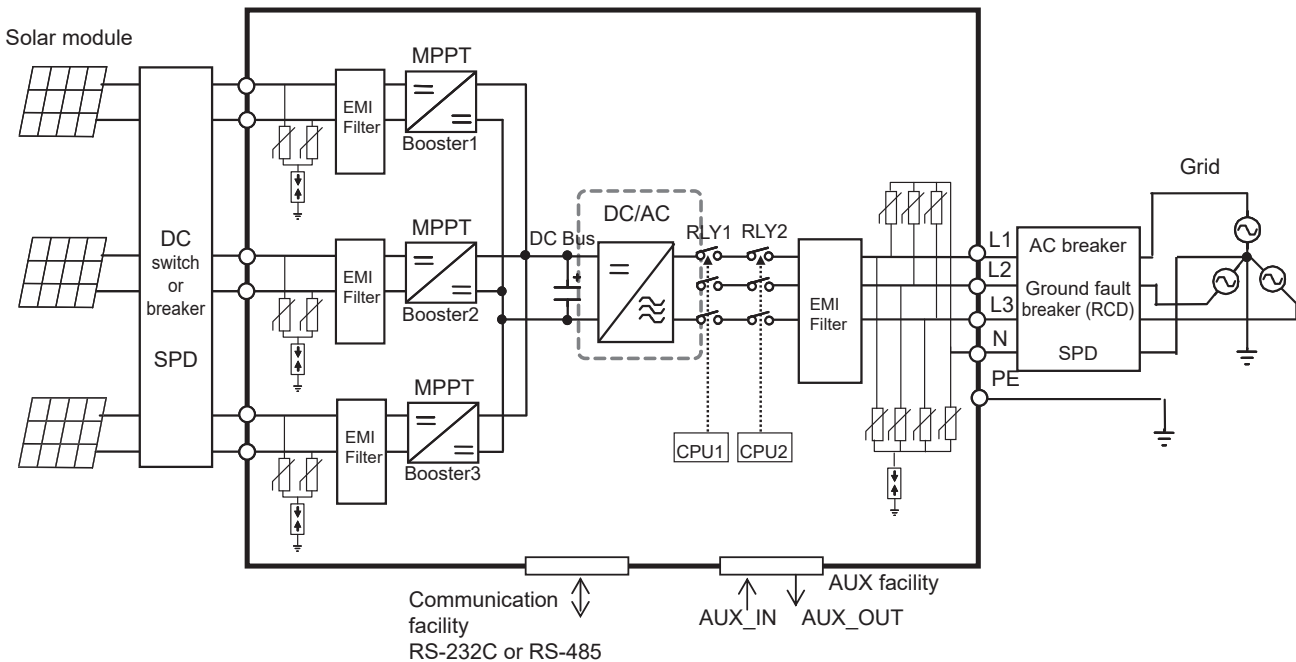
Item		KP100L-OD-EU	
Other	Operation temperature range	-20 to +60°C	
	Tolerable relative humidity	4 to 100%, non-condensing	
	Climate class (per IEC 60721-3-4)	4K4H	
	Grid anti-islanding control	AICOT™ included*1	
	Degree of protection	Housing: IP65 (acc. to DIN EN60529)	
	Cooling	Forced ventilation	
	Dimensions (W × H × D)	455 × 740 × 270 mm	
	Weight	Approx. 42 kg	
	Display	LCD (16 characters, 2 lines)	
	Data transmission	RS-232C/RS-485	
	Software	Monitoring	Omron PVRemote/Solar-Log™/MeteoControl™
		Sizing	Omron PVsizing Pro
	Built in over voltage protection	Varistors and arrestors, Category III on AC side and Category II on DC side.	
Warranty	5 years		
Spare parts		Fans replacement kit: KP100L-OP-FAN MC4 replacement kit: KP100L-OP-MC4	

\*1 AICOT™ is an Omron technology protected by copyright which stays for: "Anti Islanding Control Technology".

## ZCC Circuit

### Top Performances, for longer

Key to Omron's innovative solution to prevent PID is the special ZCC circuit that was developed together with a leading Japanese university. PID effects can be delayed so the PV plant performances are maintained at the top for longer as independent TÜV Rheinland tests confirm. The KP100L has 3 individual MPPT (Maximum Power Point Tracker) devices and ensures high power efficiency and maximum power output at all times.

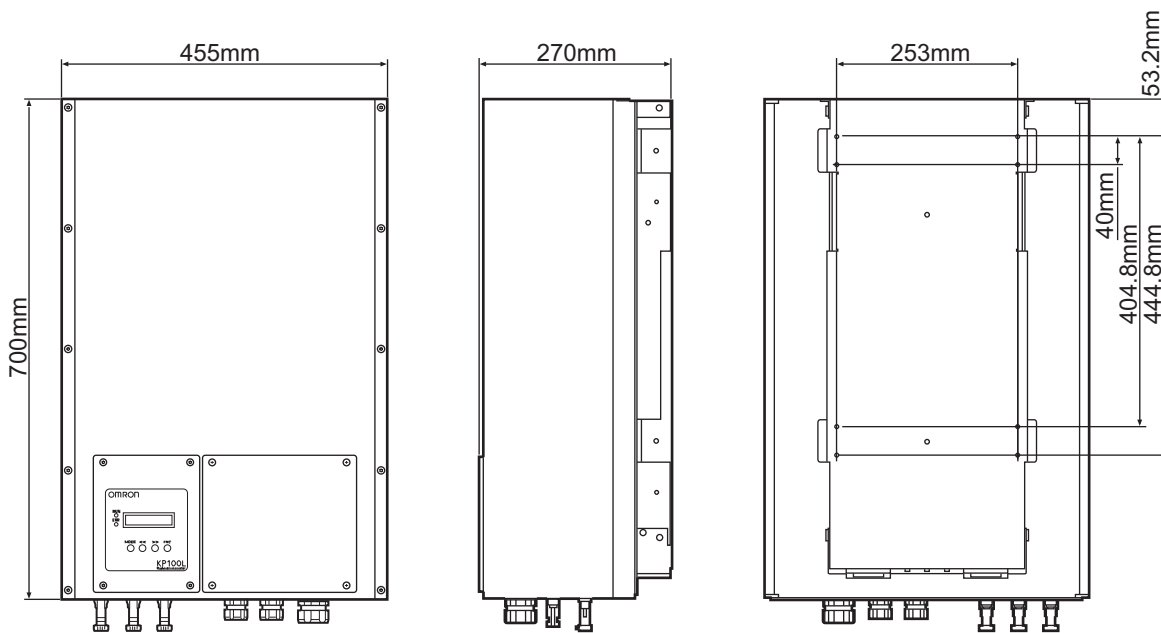


\* Inside the black bold line shows Inverter.

     include original circuit design, ZCC circuit.

# Dimensions

## KP100L



**KP100L**

---

Cat. No. T09E-EN-03

**In the interest of product improvement, specifications are subject to change without notice.**

---

**OMRON EUROPE B.V.**

Wegalaan 67-69,  
NL-2132 JD, Hoofddorp,  
The Netherlands  
Phone: +31 23 568 13 00  
Fax: +31 23 568 13 88  
[www.industrial.omron.eu](http://www.industrial.omron.eu)